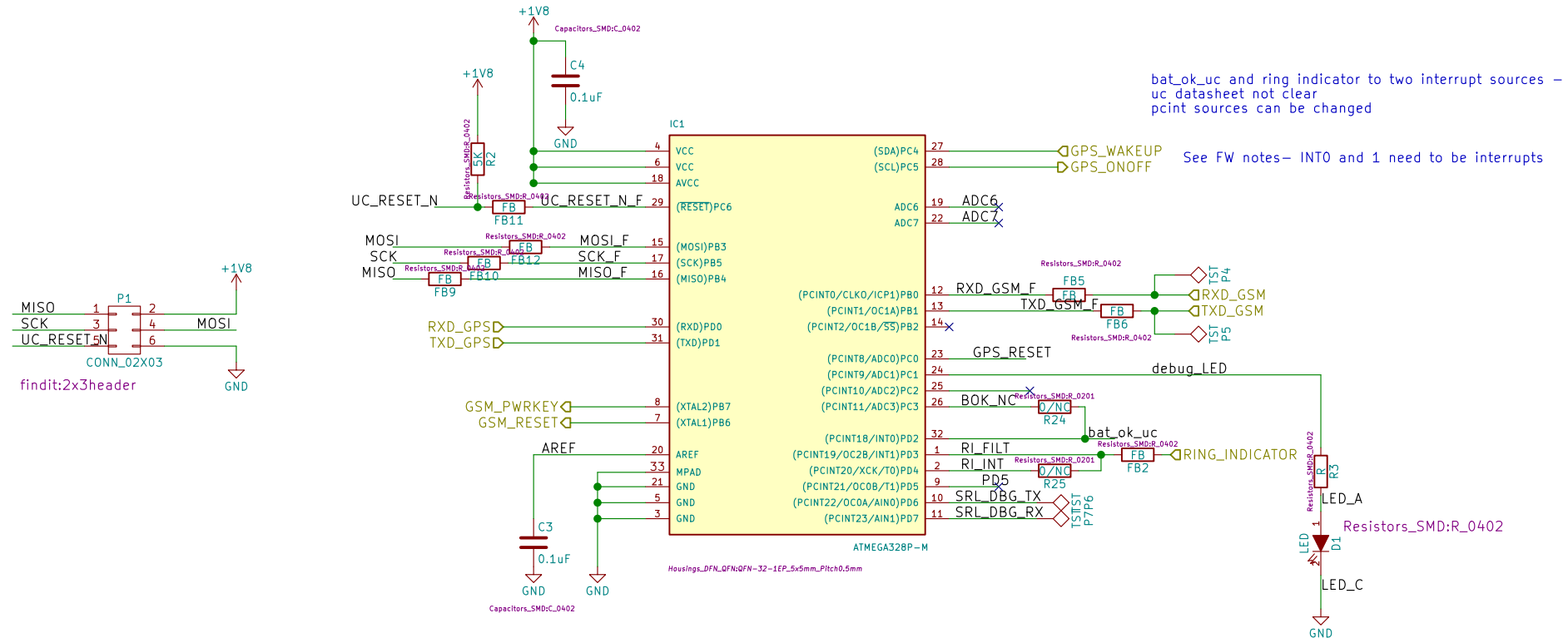
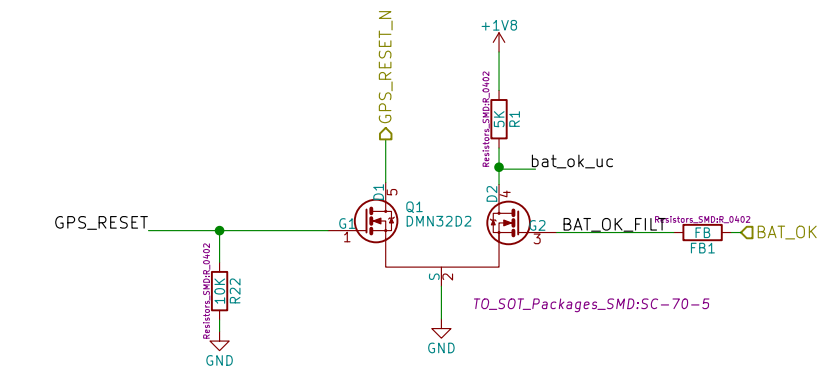


Sheet: /		
File: findit.sch		
Title:		
Size: A4	Date:	Rev:
KiCad E.D.A. kicad 4.0.6		Id: 1/6



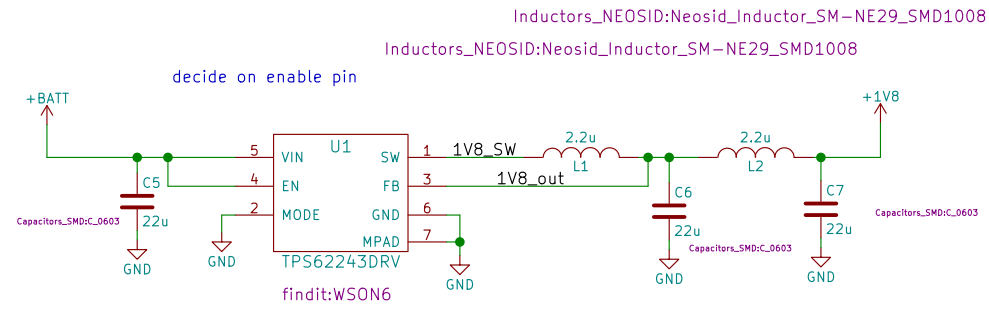
bat_ok_uc and ring indicator to two interrupt sources – uc datasheet not clear
 pcint sources can be changed

See FW notes– INTO and 1 need to be interrupts



Sheet: /MCU/		File: MCU.sch	
Title:			
Size: A4	Date:		
KiCad E.D.A. kicad 4.0.6	Id: 2/6		

1.8V buck converter



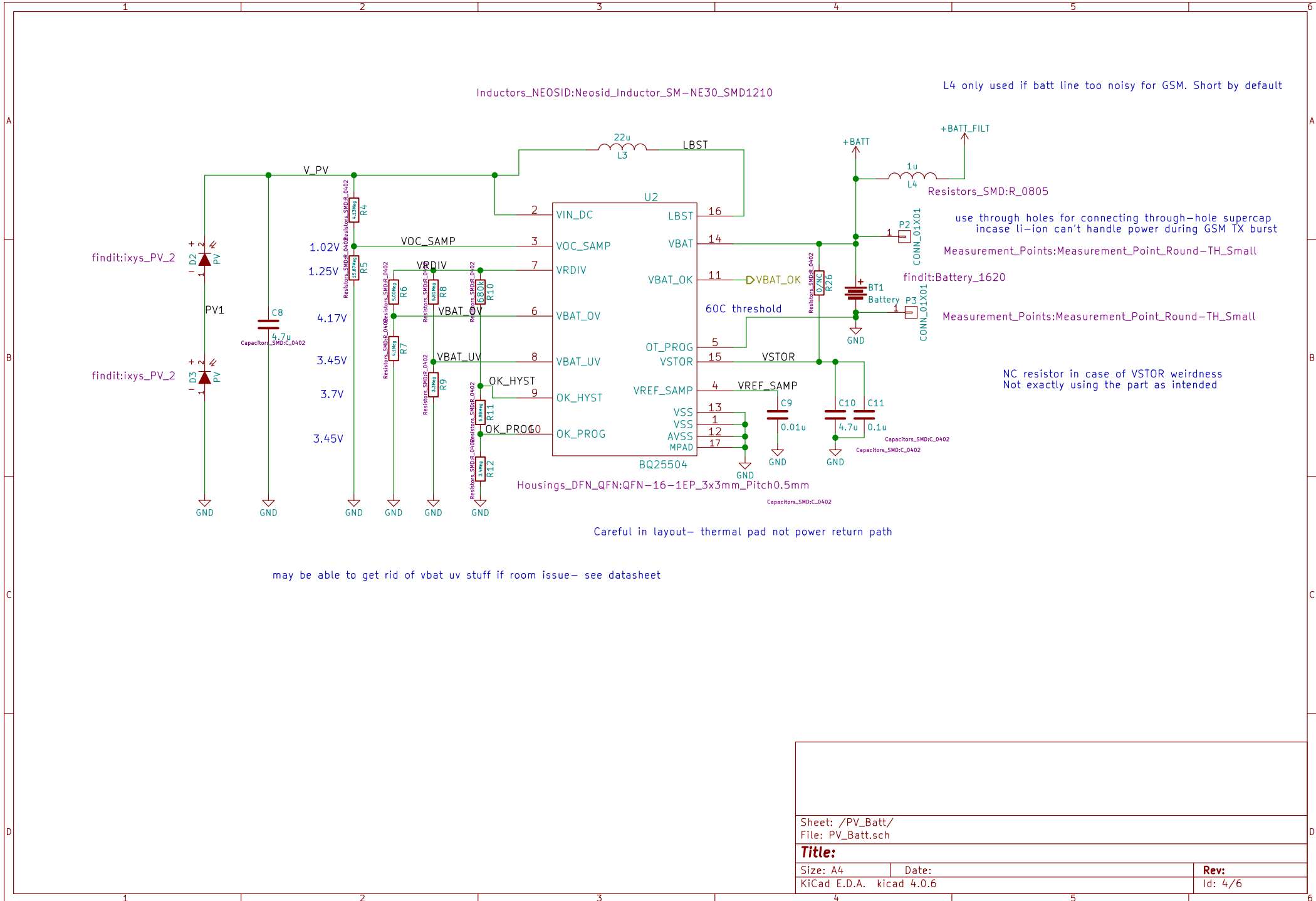
Sheet: /Power/
File: Power.sch

Title:

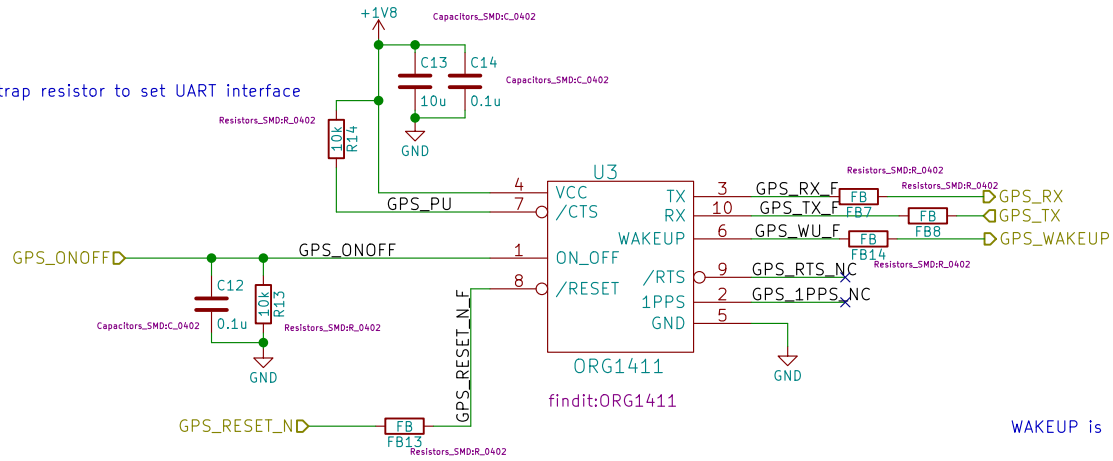
Size: A4
KiCad E.D.A. kicad 4.0.6

Date:

Rev:
Id: 3/6



CTS pullup strap resistor to set UART interface



check in layout tht gnd paddle is solder masked

WAKEUP is output to indicate power state

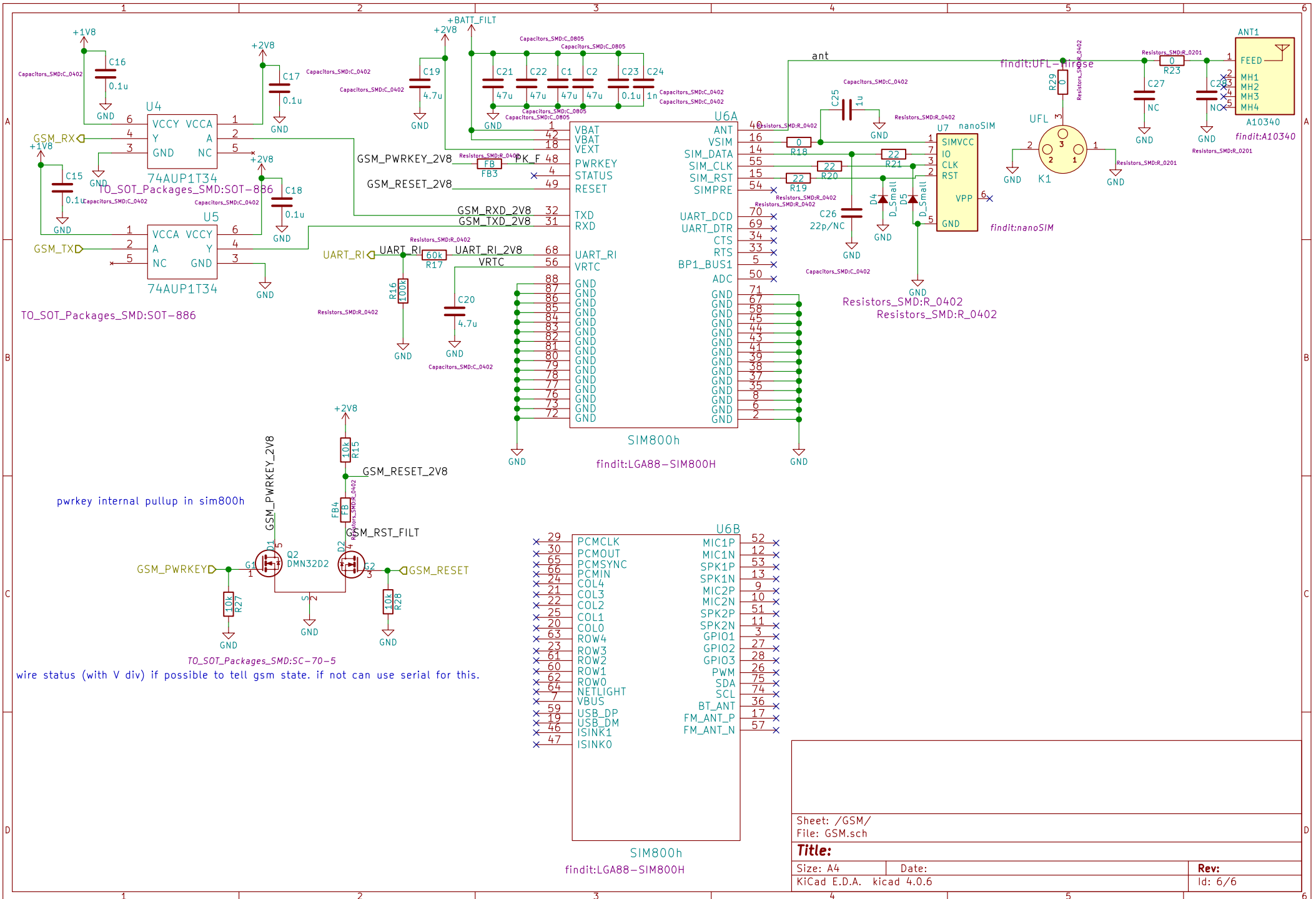
Sheet: /GPS/
File: GPS.sch

Title:

Size: A4
KiCad E.D.A. kicad 4.0.6

Date:

Rev:
Id: 5/6



Sheet: /GSM/	
File: GSM.sch	
Title:	
Size: A4	Date:
KiCad E.D.A. kicad 4.0.6	Id: 6/6