

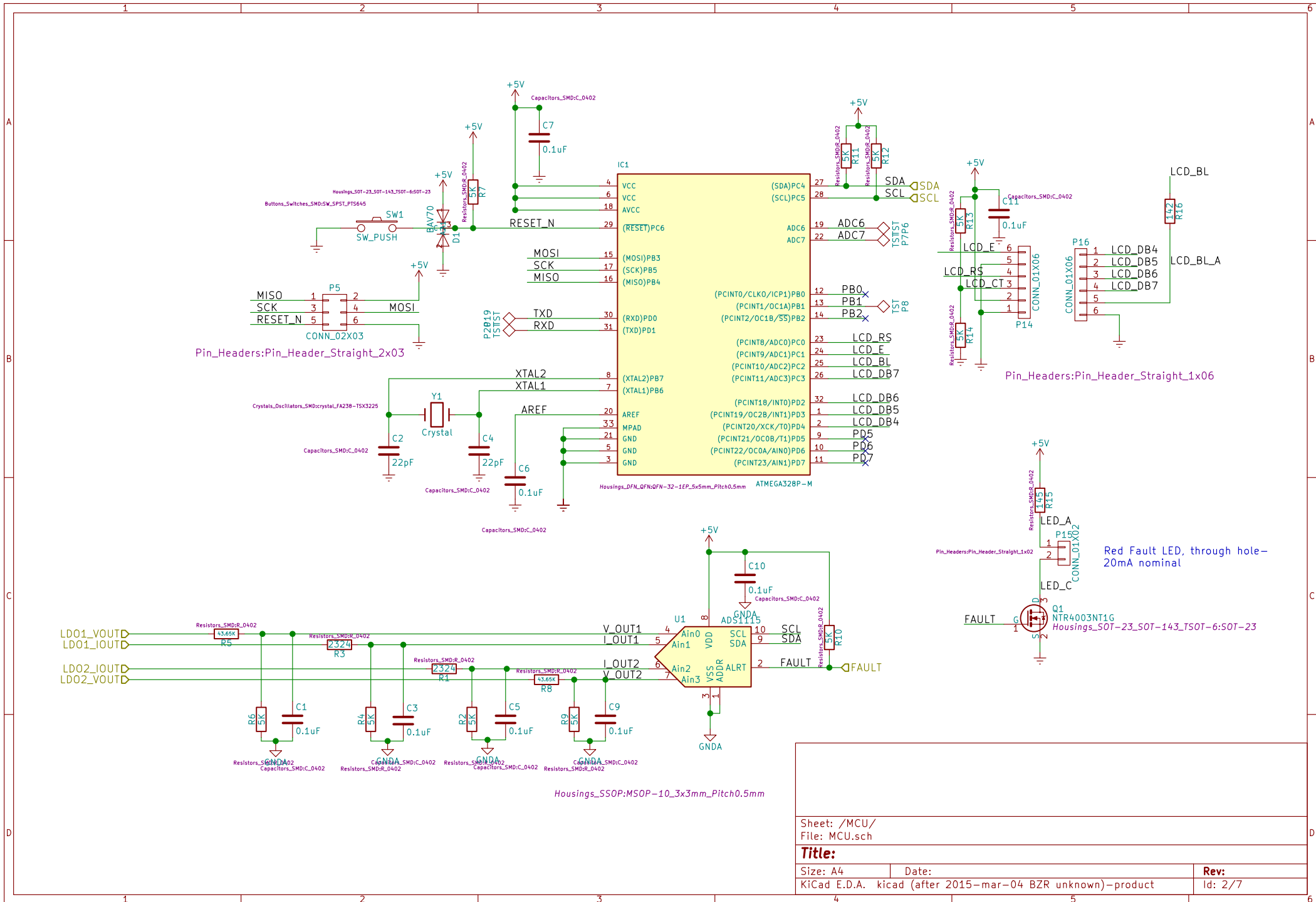
**Nathan Monroe**

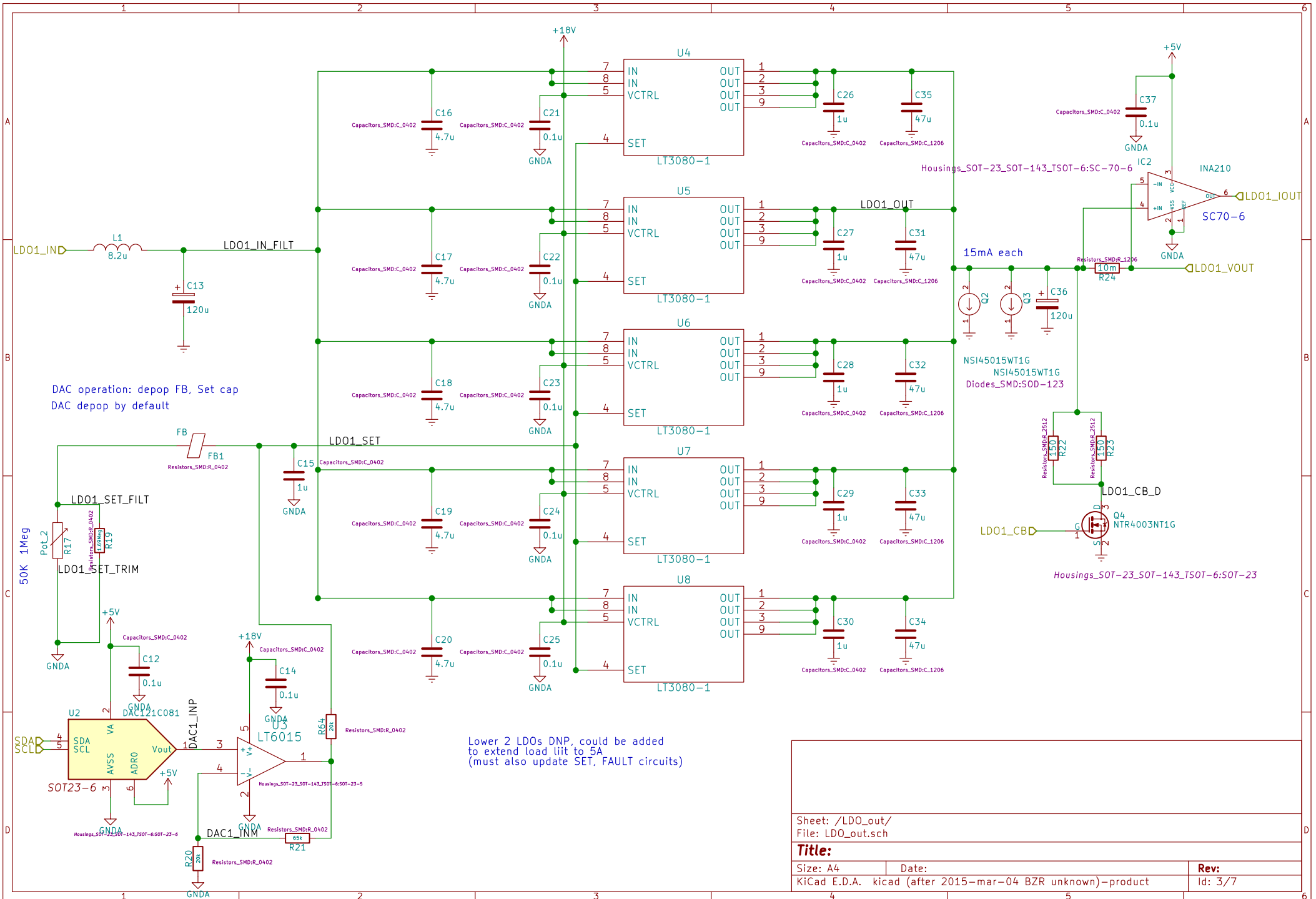
Sheet: /  
File: bench\_supply.sch

**Title: Bench\_supply**

Size: A4 | Date:  
KiCad E.D.A. kicad (after 2015-mar-04 BZR unknown)-product

Rev:  
Id: 1/7





DAC operation: depop FB, Set cap  
DAC depop by default

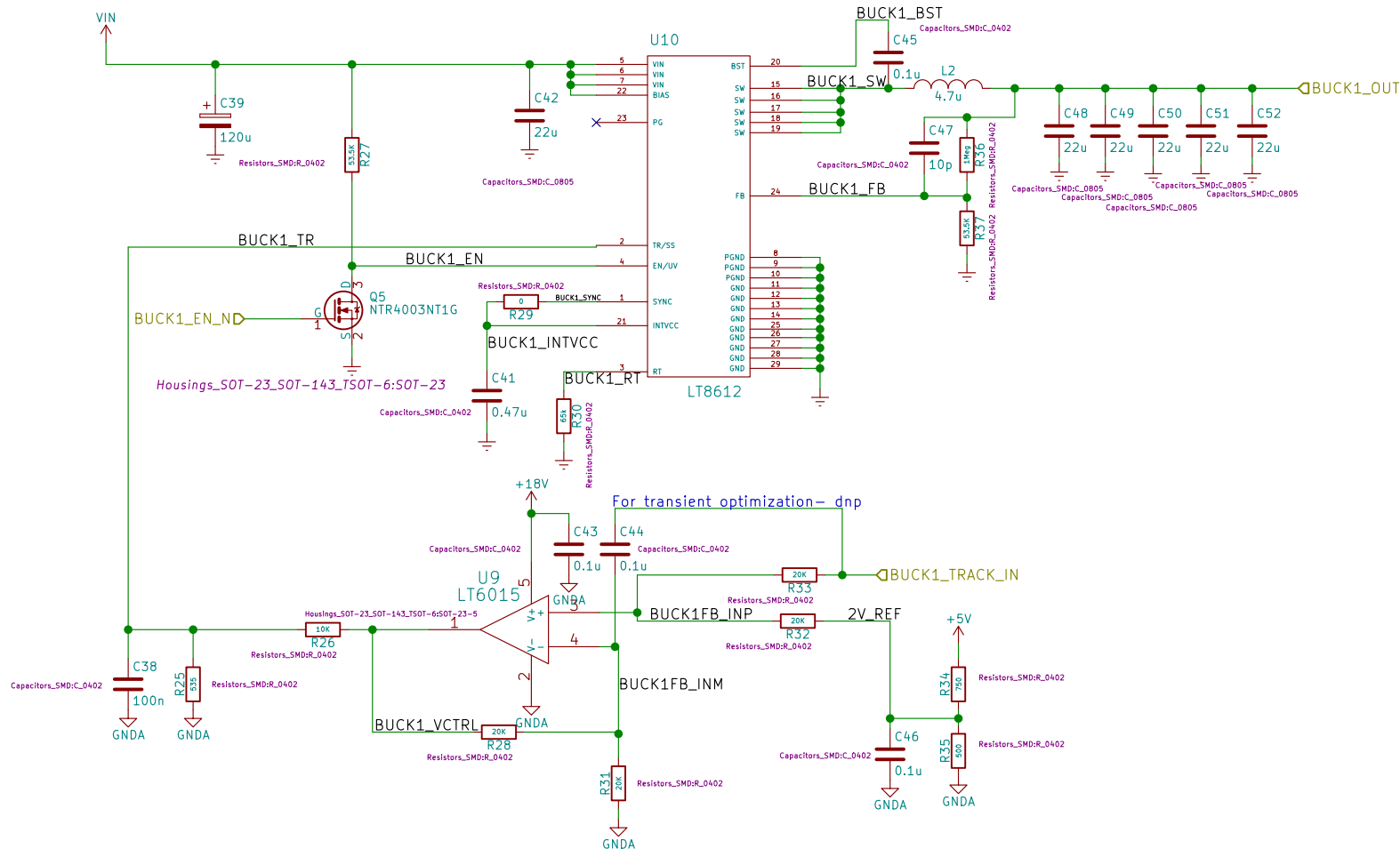
Lower 2 LDOs DNP, could be added  
to extend load lit to 5A  
(must also update SET, FAULT circuits)

Sheet: /LDO\_out/  
File: LDO\_out.sch

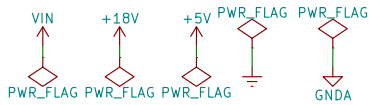
**Title:**

Size: A4 Date:  
KiCad E.D.A. kicad (after 2015-mar-04 BZR unknown)-product

**Rev:**  
Id: 3/7

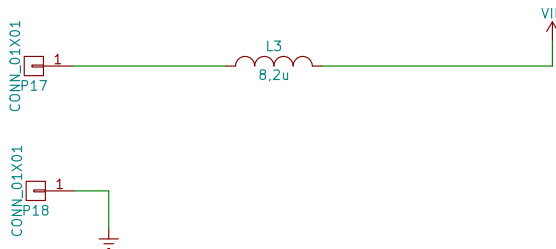


Sheet: /Buck_out/		
File: Buck_out.sch		
<b>Title:</b>		
Size: A4	Date:	Rev:
KiCad E.D.A. kicad (after 2015-mar-04 BZR unknown)-product		Id: 4/7

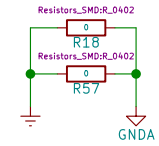


Power input

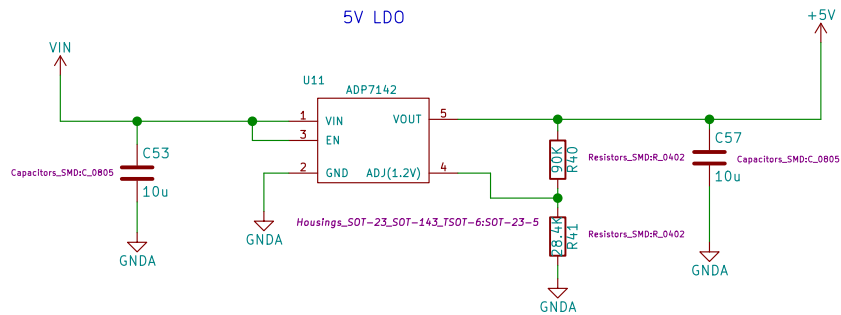
Optional LC filter— decide based on AC/DC noise



Single point connection of AGND and DGND

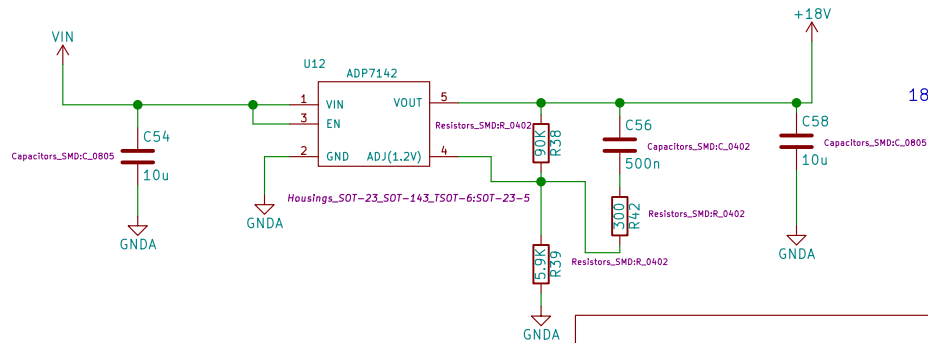


5V LDO



20mA max

19V LDO (used 18V label)



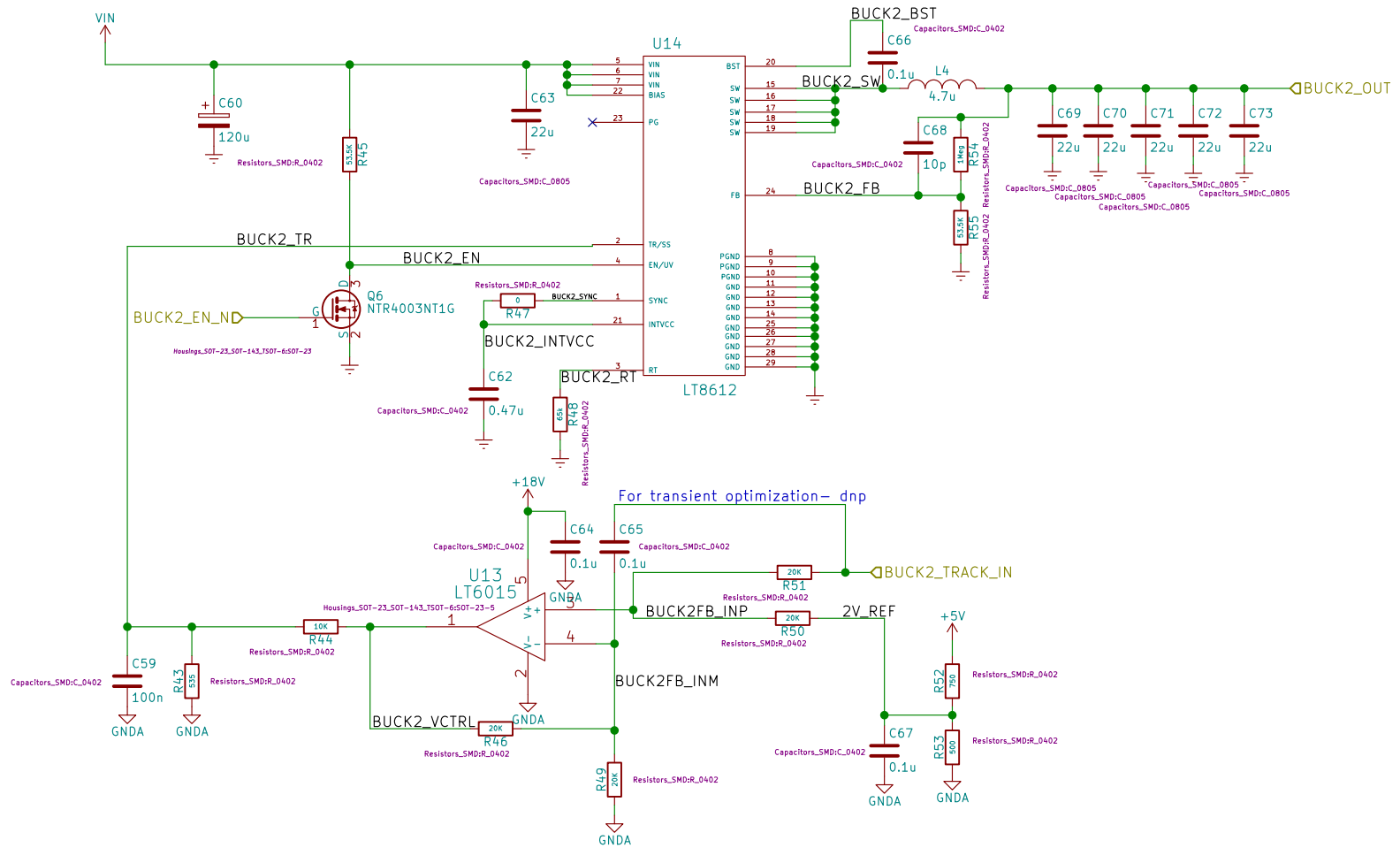
180mA max (3A load in both channels)

Sheet: /Aux\_LDOs/  
File: Aux\_LDOs.sch

**Title:**

Size: A4 Date: KiCad E.D.A. kicad (after 2015-mar-04 BZR unknown)-product

Rev: Id: 5/7



Sheet: /Buck\_out\_2/  
File: Buck\_out\_2.sch

**Title:**

Size: A4 Date: KiCad E.D.A. kicad (after 2015-mar-04 BZR unknown)-product

Rev: Id: 6/7

